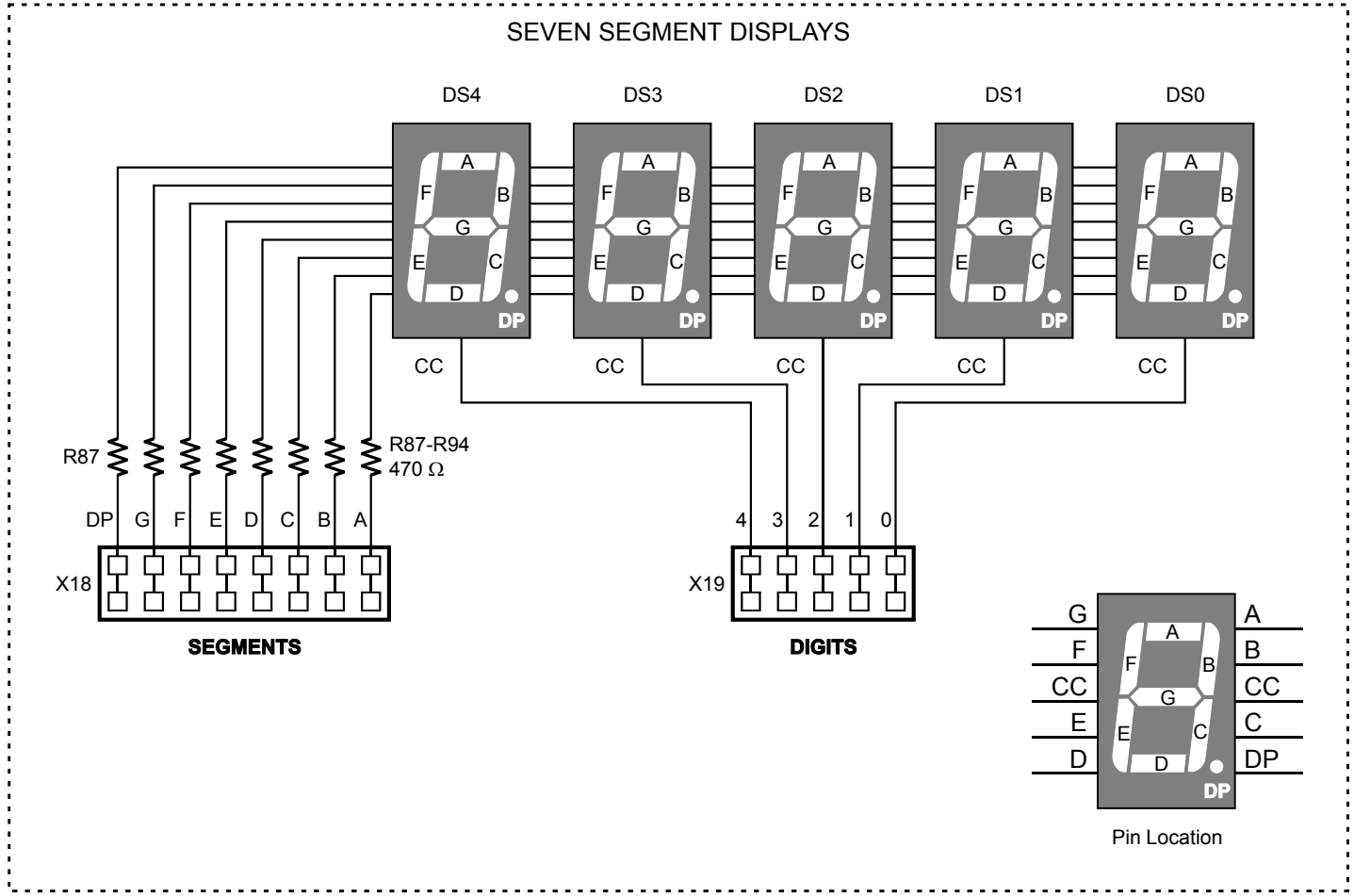
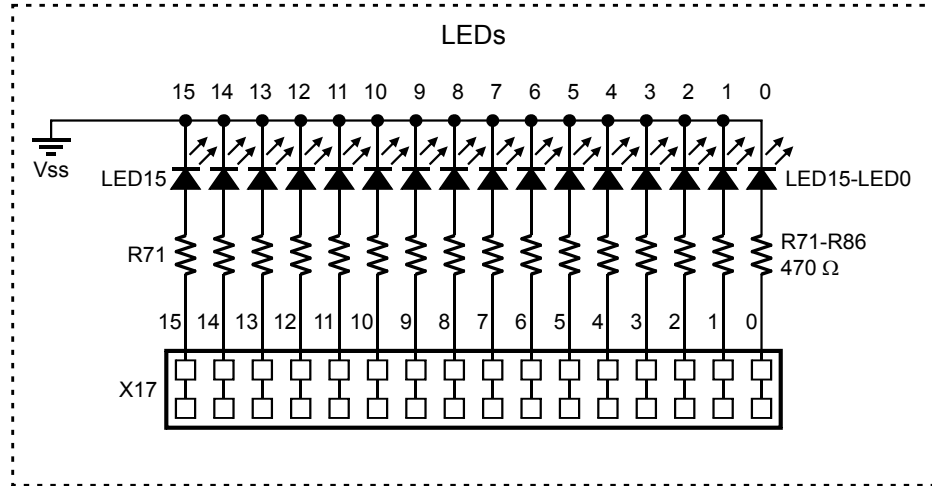


Professional Development Board Schematic Rev. D

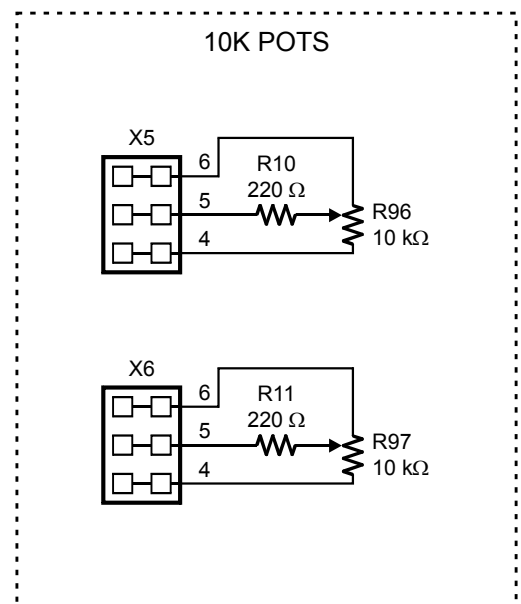
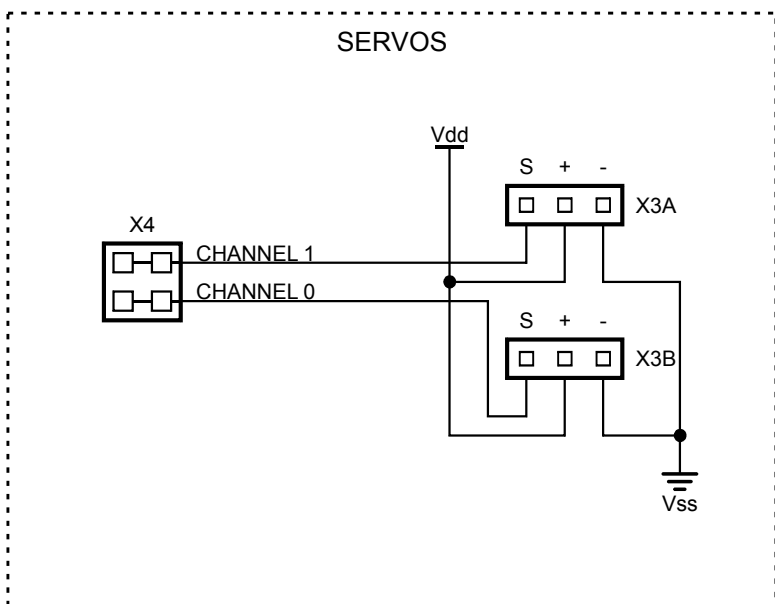
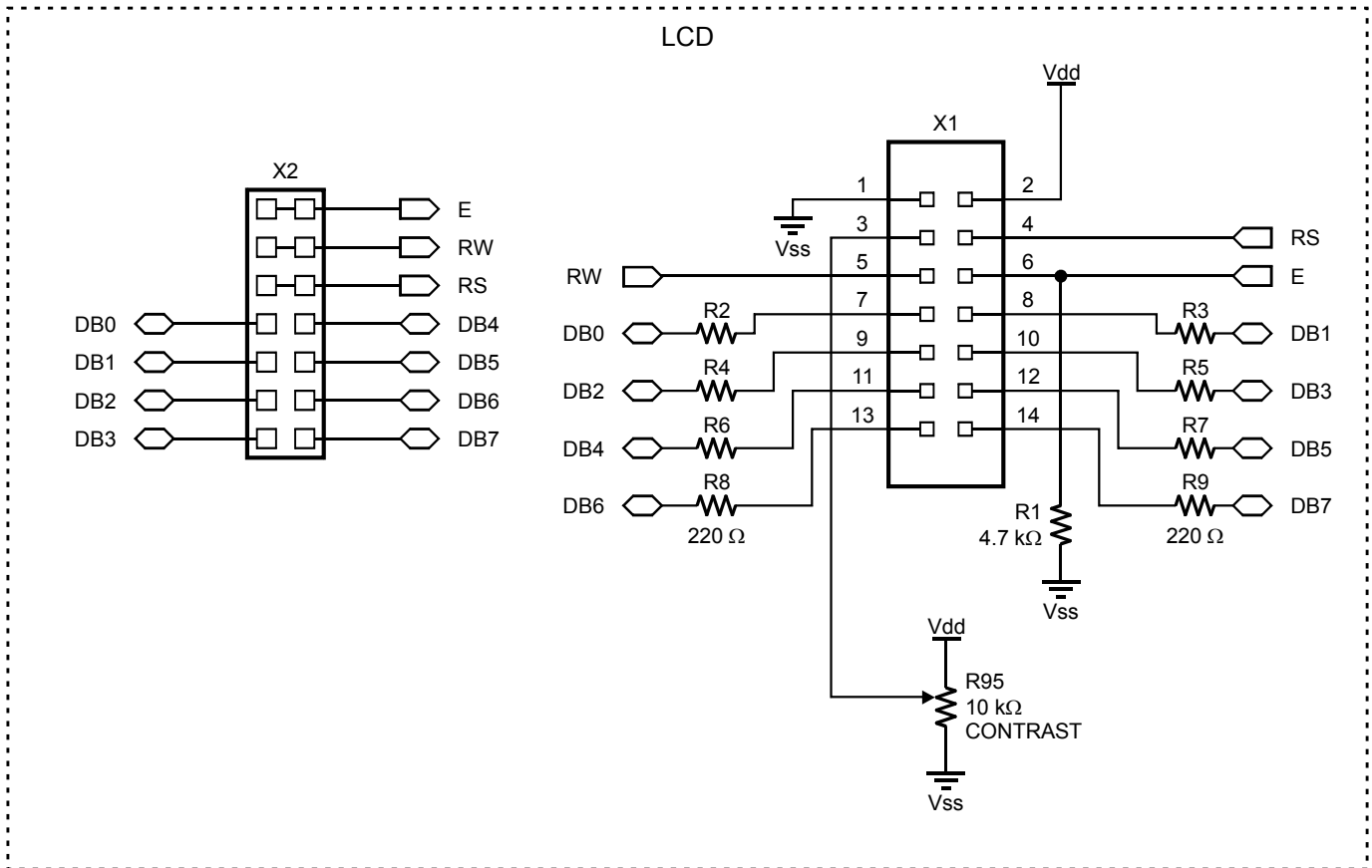
Updated 05-01-07 © Parallax, Inc.



Generally schematic sections start at the top center of the board and continue clockwise.

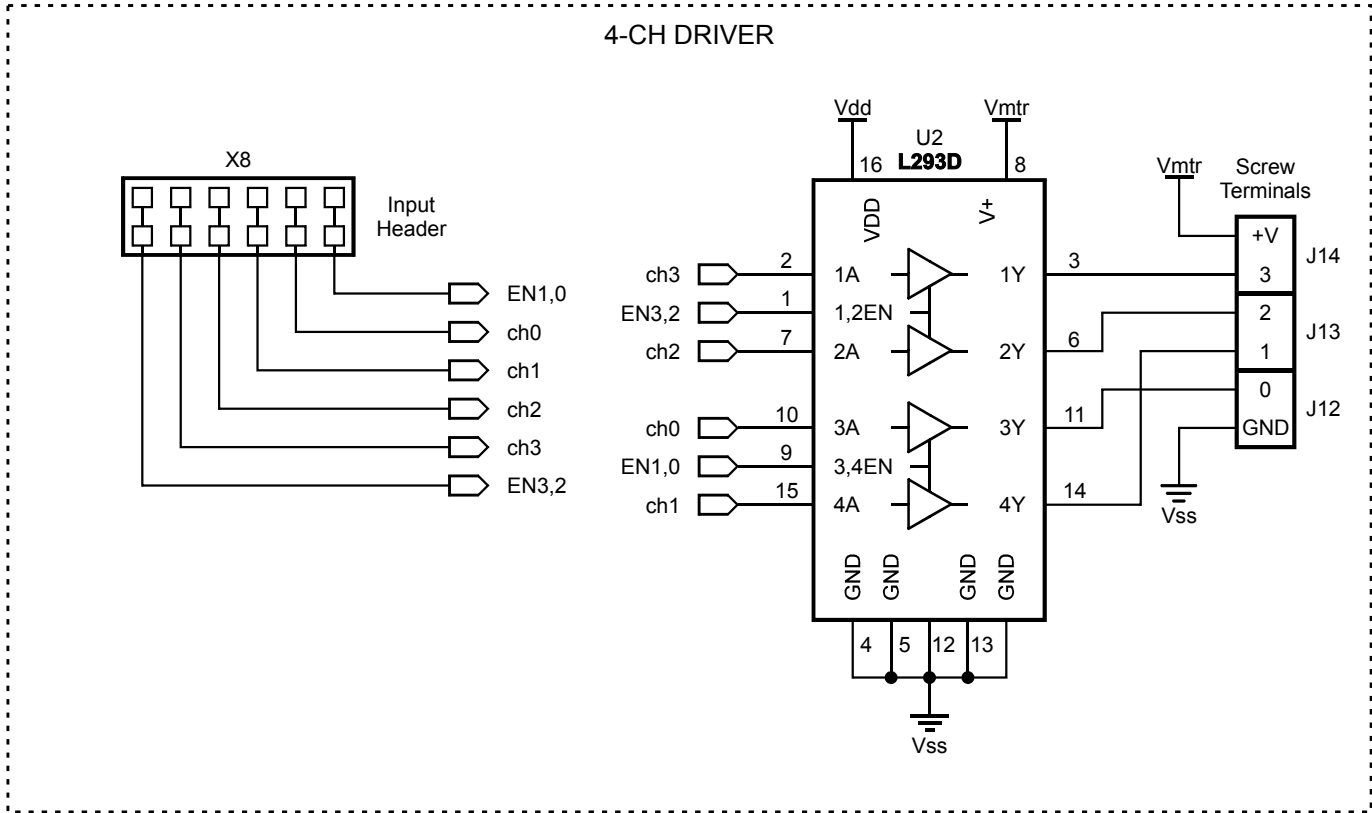
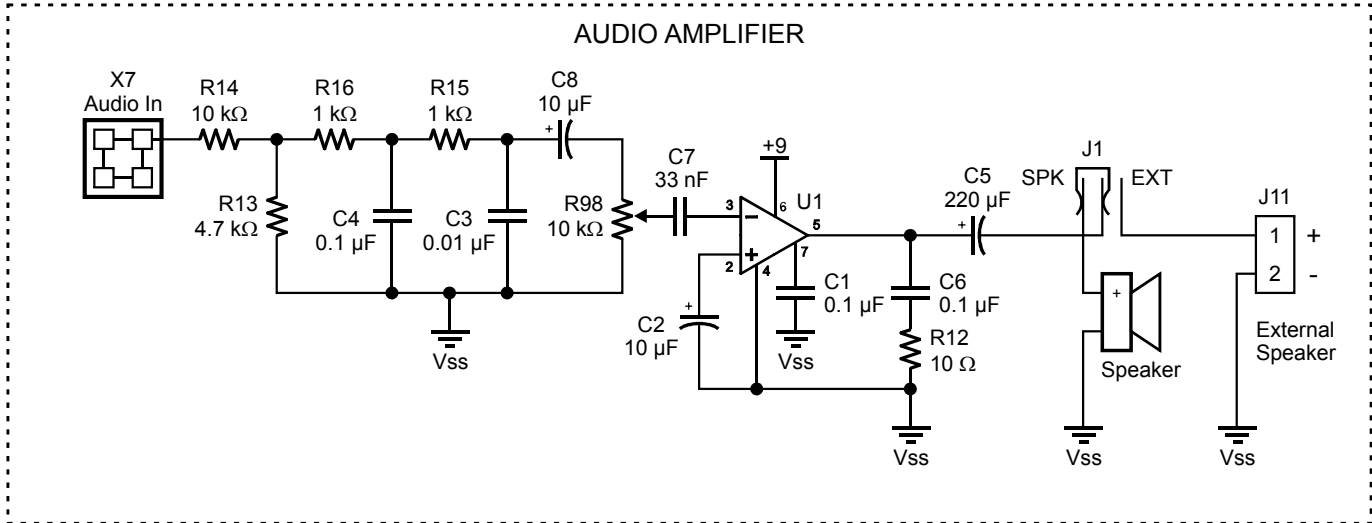
Professional Development Board Schematic Rev. D

Updated 05-01-07 © Parallax, Inc.



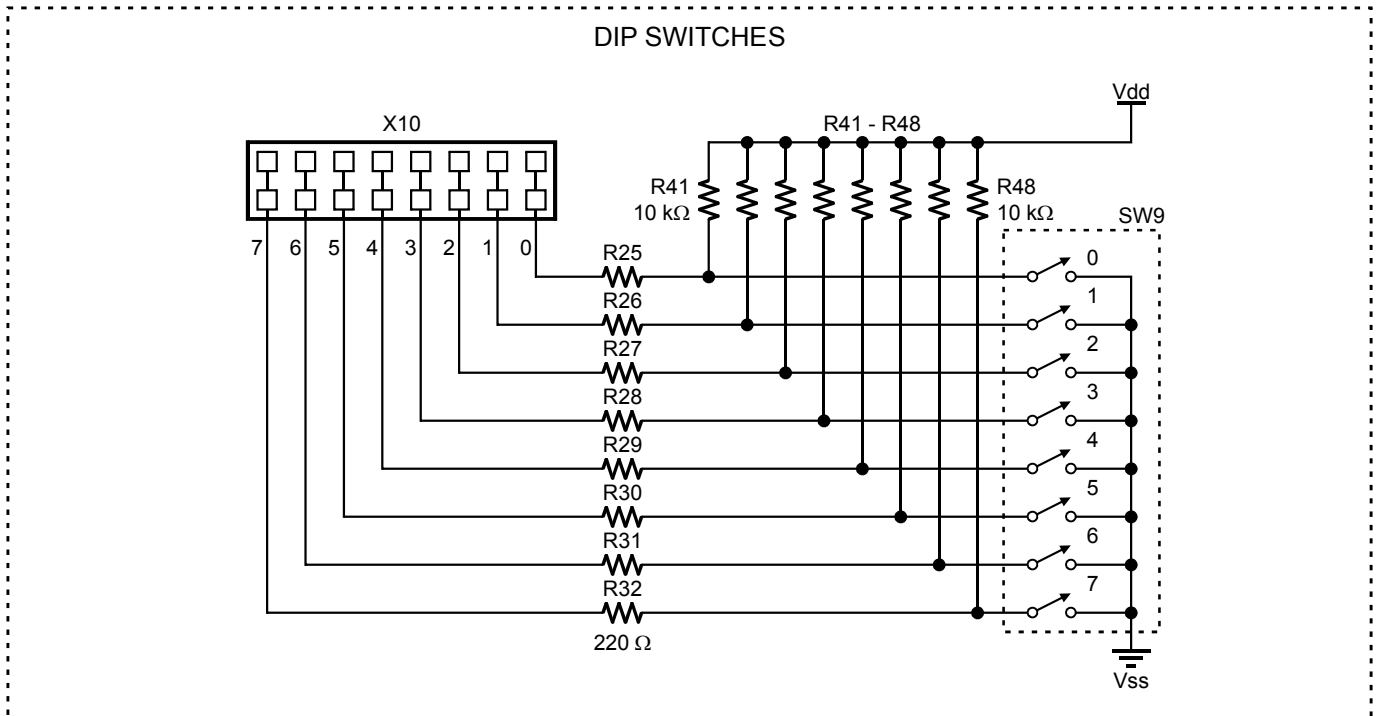
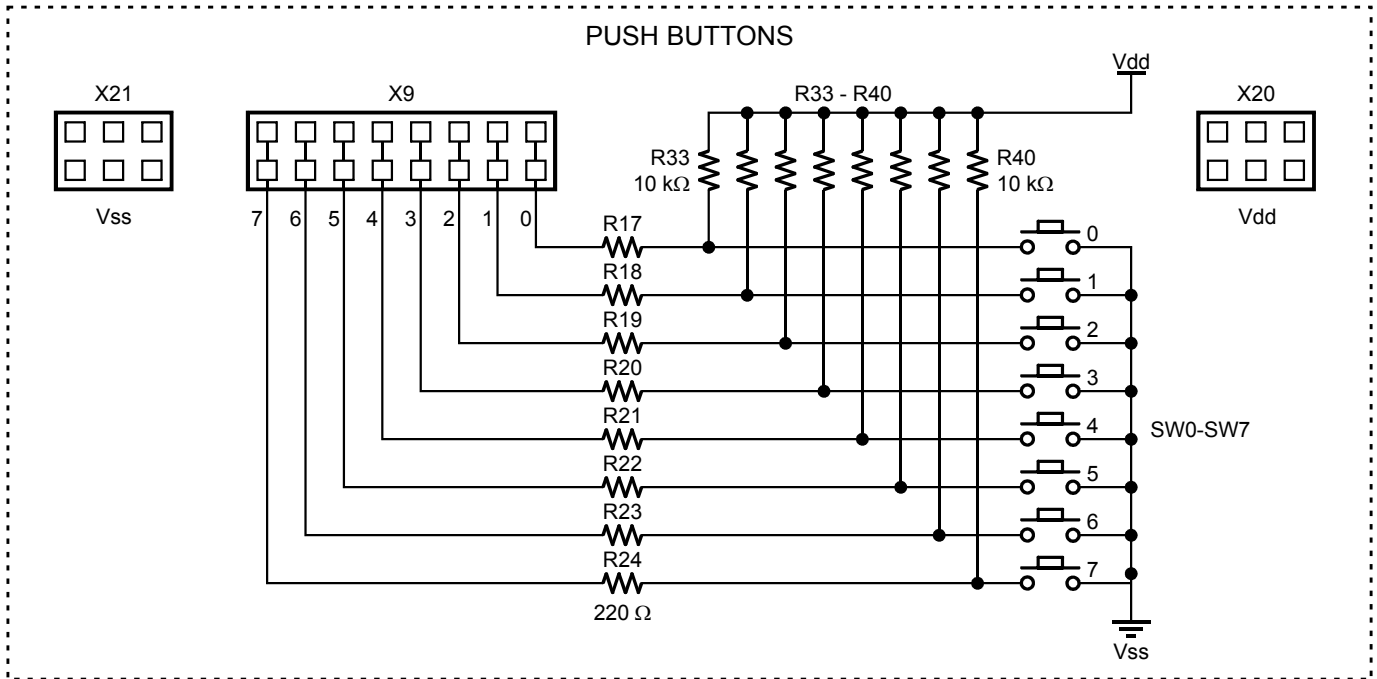
Professional Development Board Schematic Rev. D

Updated 05-01-07 © Parallax, Inc.



Professional Development Board Schematic Rev. D

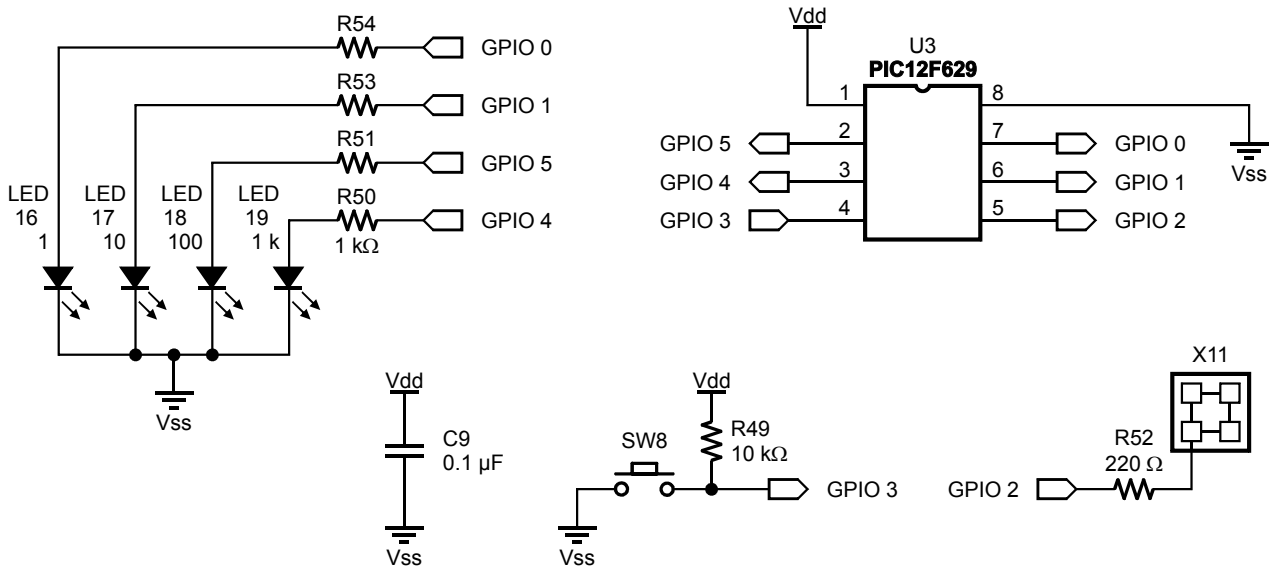
Updated 05-01-07 © Parallax, Inc.



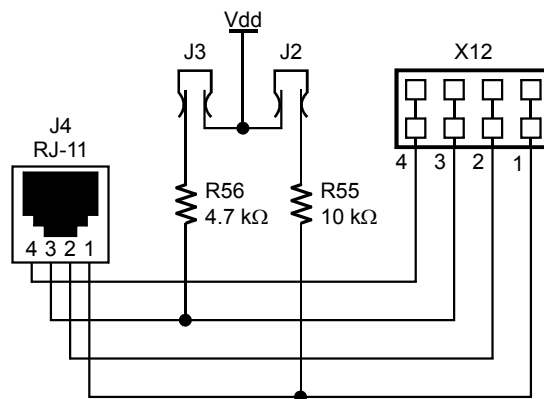
Professional Development Board Schematic Rev. D

Updated 05-01-07 © Parallax, Inc.

PULSE GENERATOR

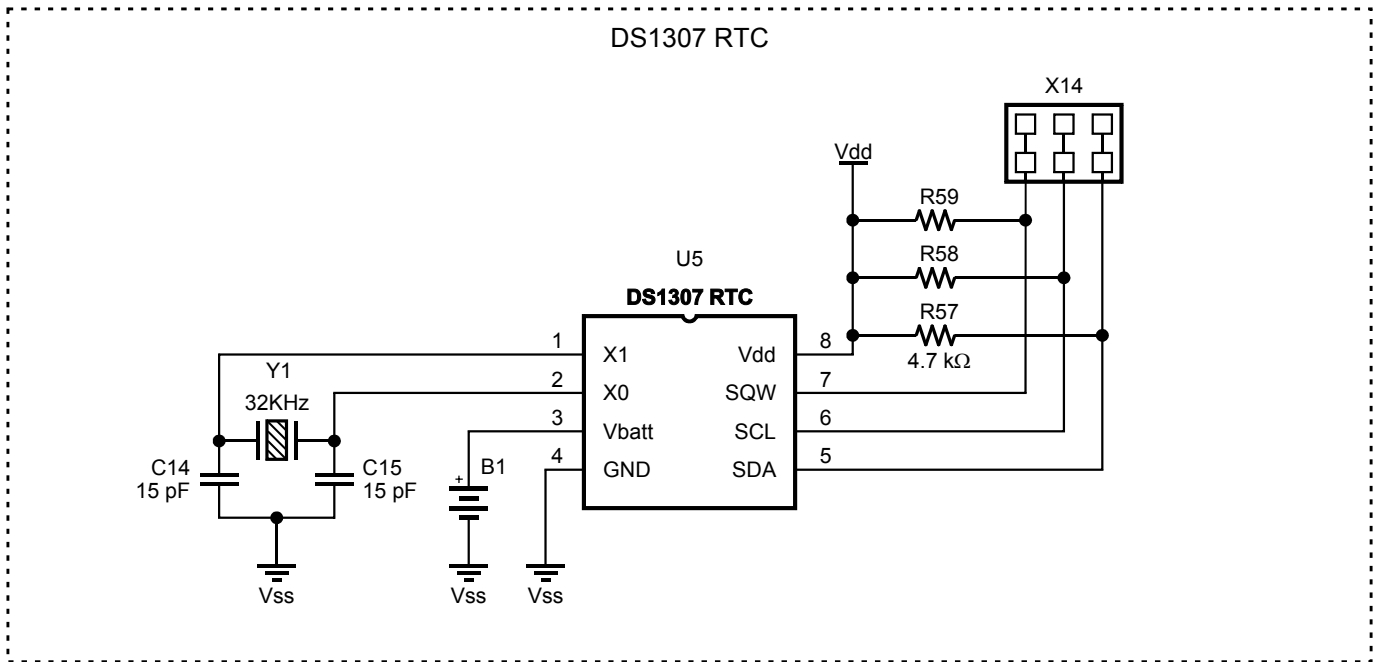
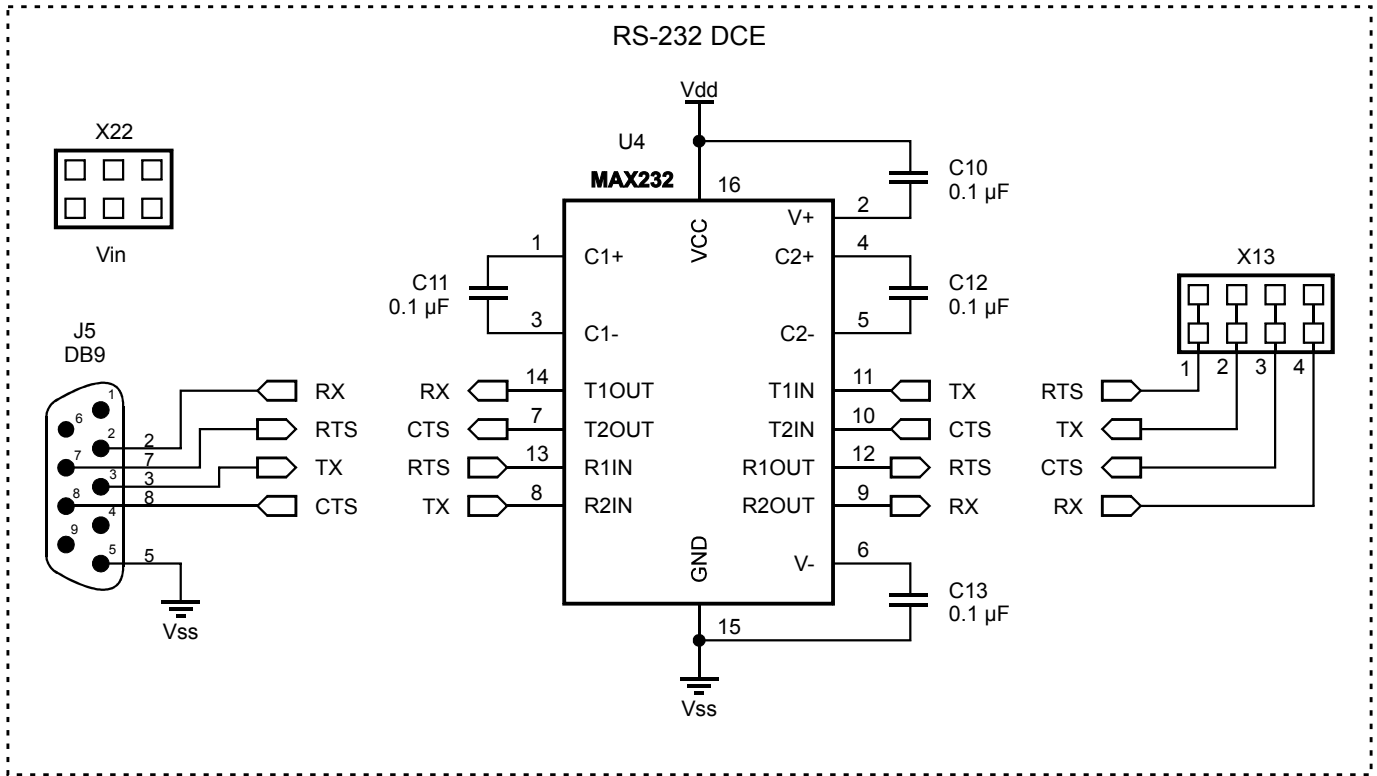


RJ-11



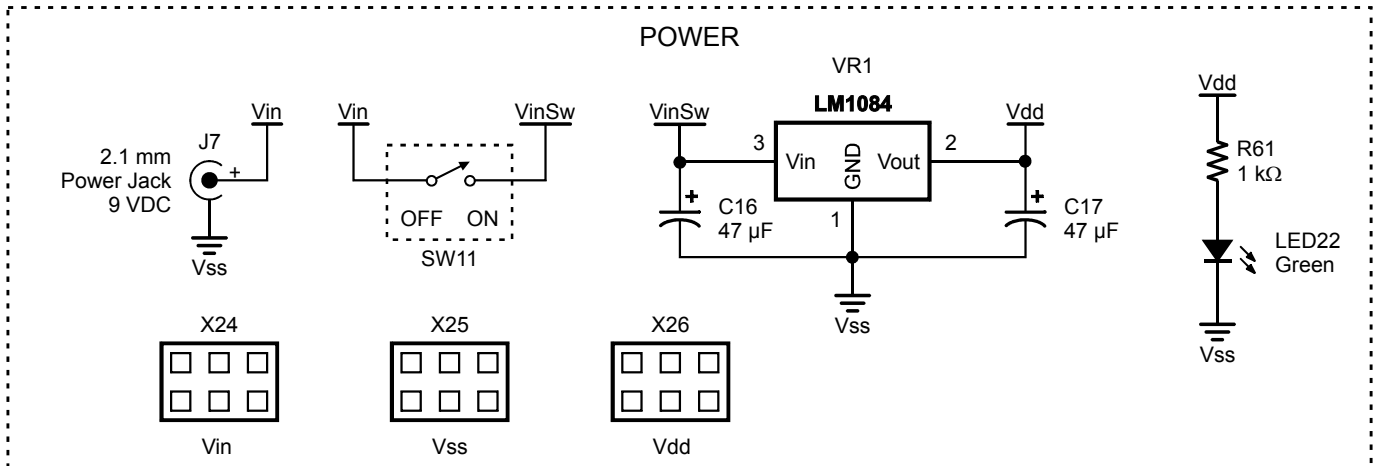
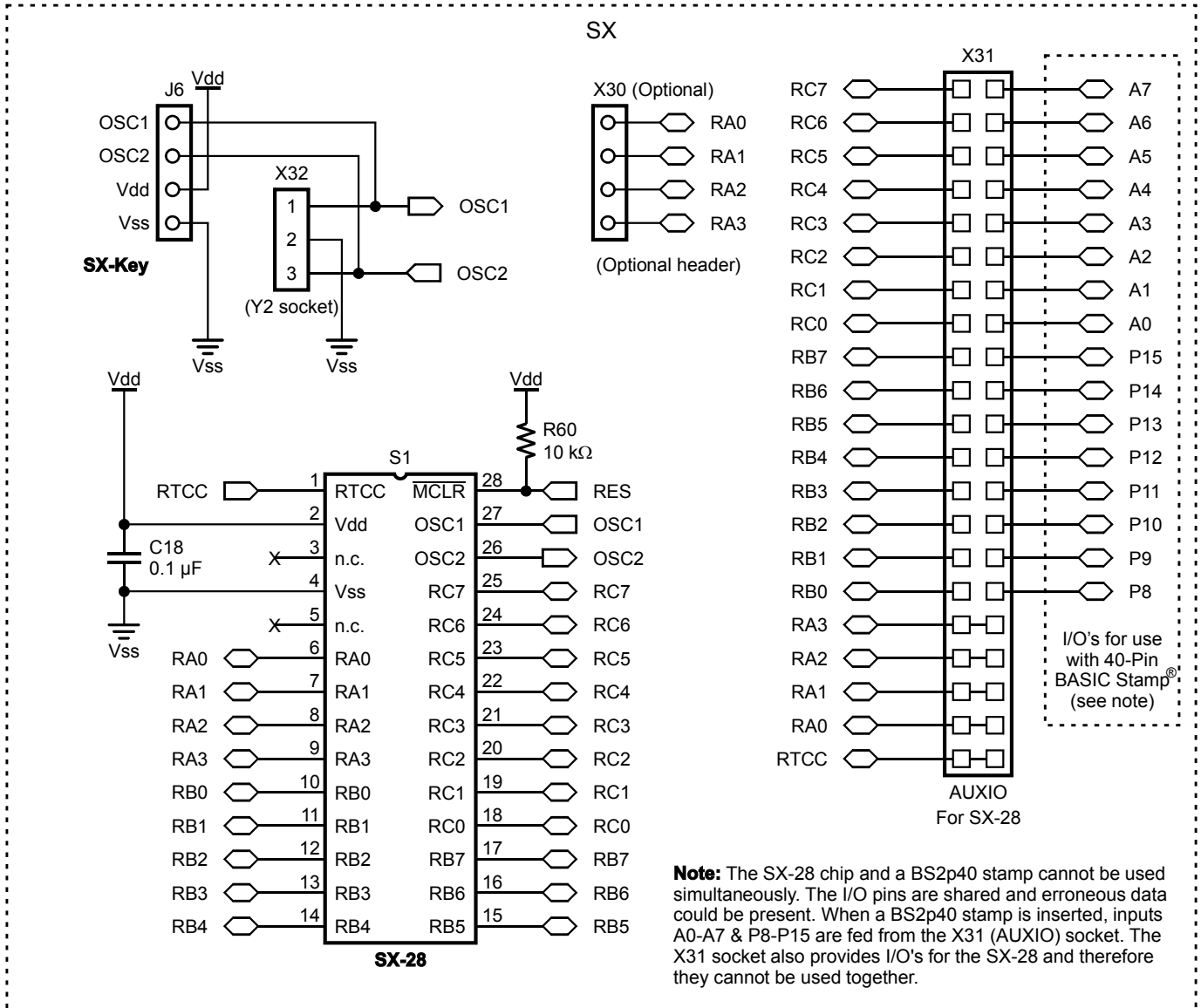
Professional Development Board Schematic Rev. D

Updated 05-01-07 © Parallax, Inc.



Professional Development Board Schematic Rev. D

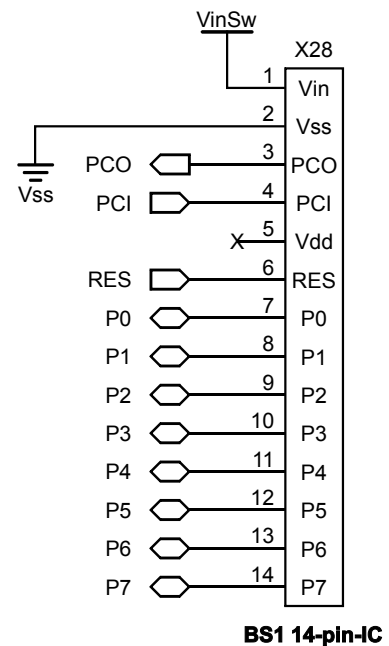
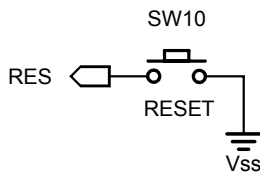
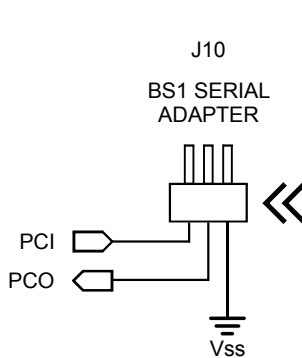
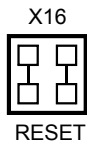
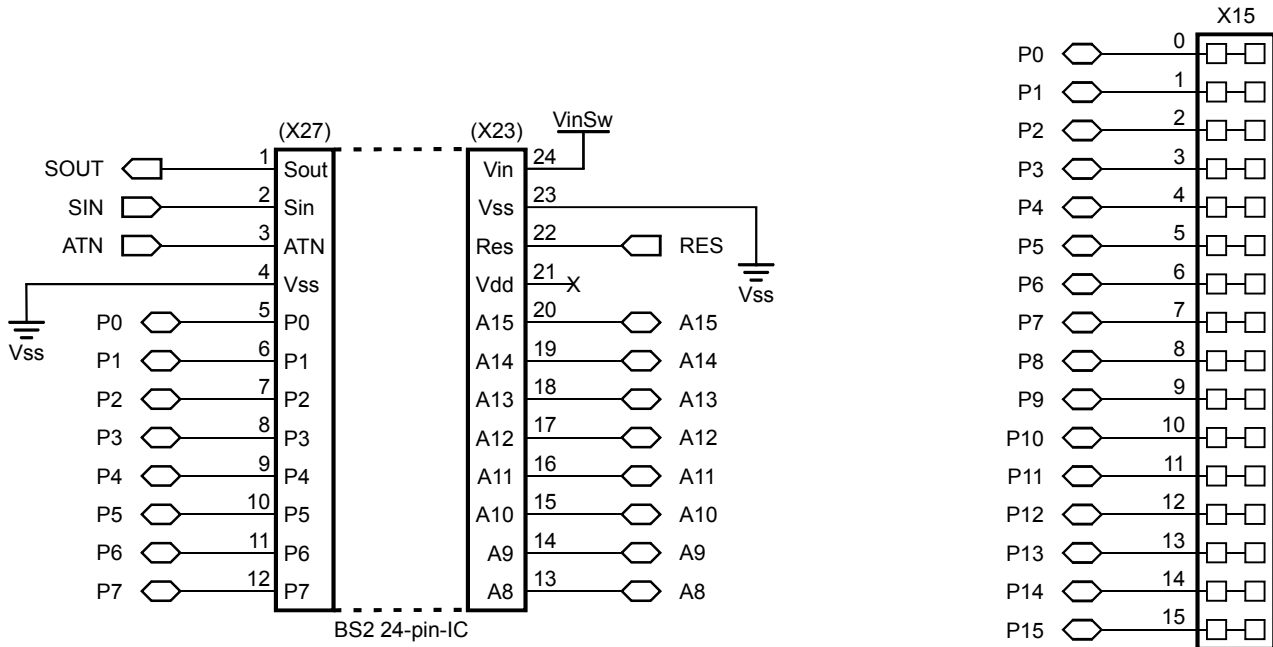
Updated 05-01-07 © Parallax, Inc.



Professional Development Board Schematic Rev. D

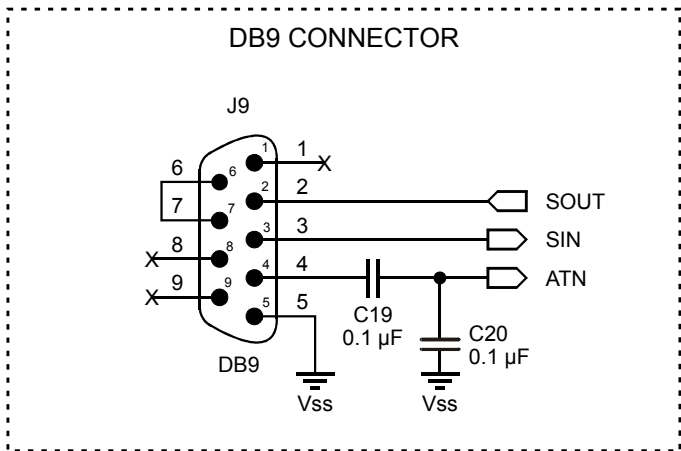
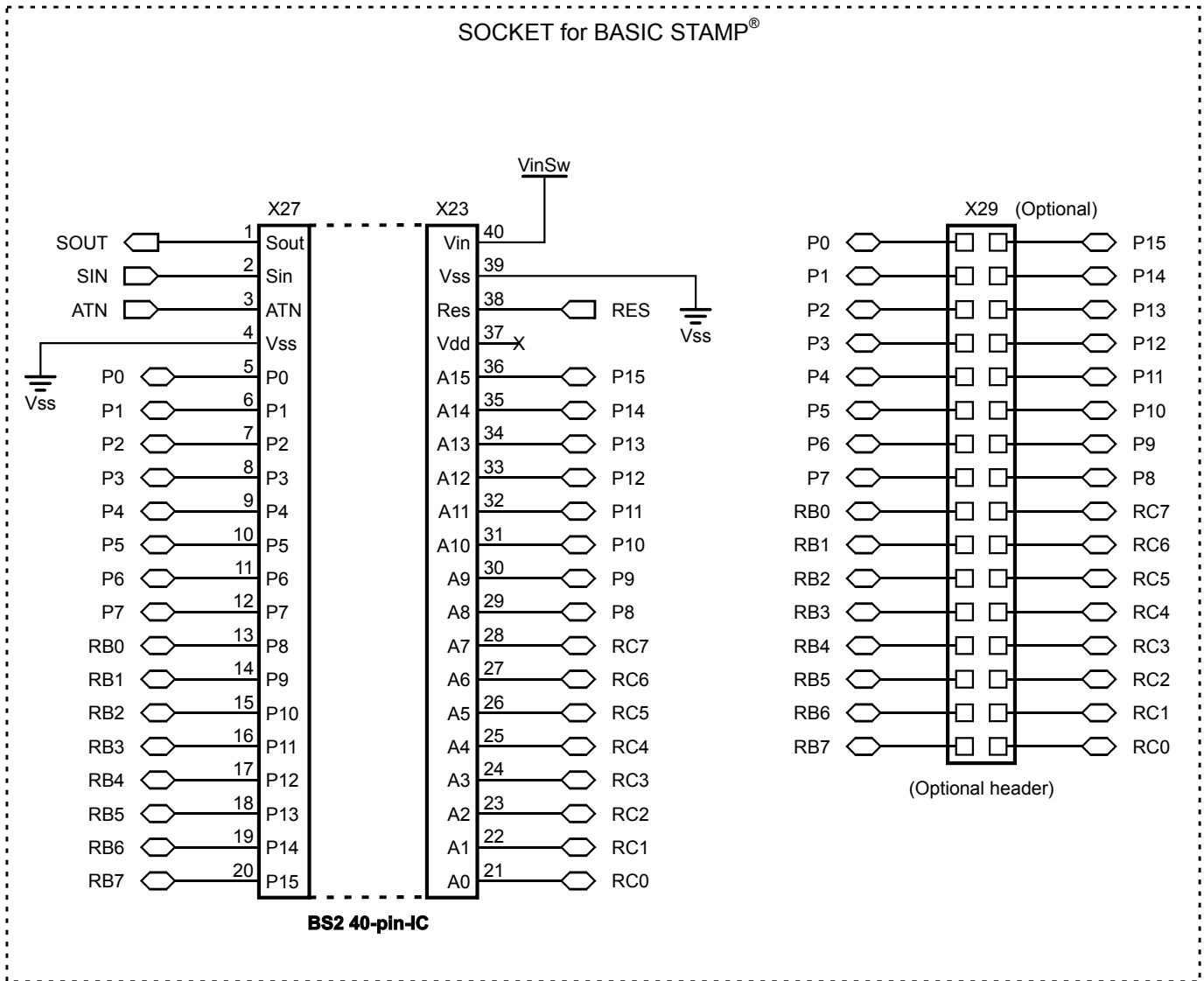
Updated 05-01-07 © Parallax, Inc.

SOCKETS for BASIC STAMP®



Professional Development Board Schematic Rev. D

Updated 05-01-07 © Parallax, Inc.



Not used reference designators

J8
 R62-R70