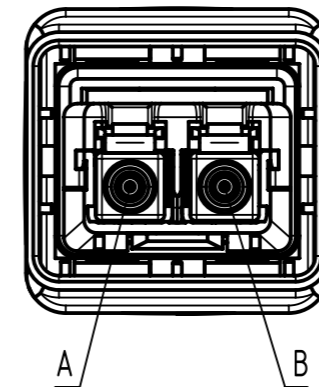
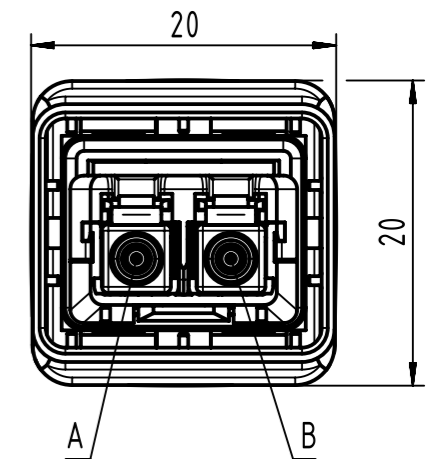


X (2:1)
(without FO protection cap)



Loading-Plan
 blue — A — B
 orange — B — A

Y (2:1)
(without FO protection cap)



-Protection level: IP67/65
 -Temperature range: -40°C ... +70°C

Cont. No.	Part - no.	Type of cable	Dim. a[m]
12	33582313000017	F.O. breakout cable MM 50/125µm	300
11	33582311500017		150
10	33582311000017		100
9	33582310600017		60
8	33582310500017		50
7	33582310400017		40
6	33582310250017		25
5	33582310200017		20
4	33582310100017		10
3	33582310050017		5
2	33582310030017		3
1	33582310010017		1

All rights reserved Department EC PD - RO		All Dimensions in mm Original Size DIN A3	Scale 1.5:1	Free size tol.	Ref. Sub.
HARTING Electronics GmbH D-32339 Espelkamp		Created by POPESCUD	Inspected by TAMAS	Standardisation HOFFMANN	Date 2015-10-30
Title HARTING PushPull LC Cable Assembly		Type TB		Number 3358231XXX0017	State Final Release
Doc-Key / ECM-Nr. 100506253/UGD/003/C 50000096306					Rev. C
					Page 1/1