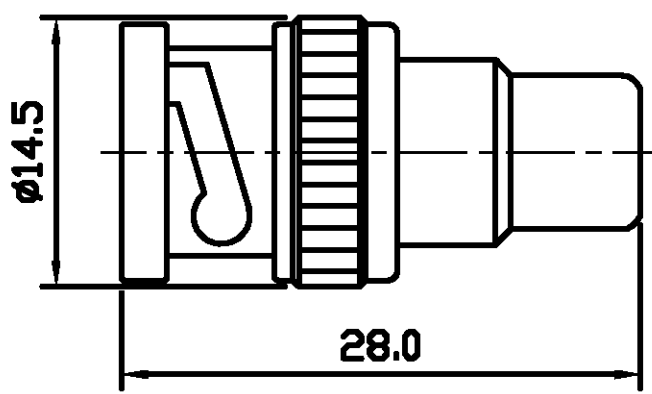


LOC	DIST	REVISIONS					
E	B	P	LTR	DESCRIPTION	DATE	DWN	APVD
		A		RELEASE FOR PRODUCTION	18.12.00	RS	RG



ALL DIMENSIONS ARE NOMINAL. FOR REFERENCE ONLY.

DIE SET PART NUMBER	N/A
HANDTOOL PART NUMBER	N/A
FOR USE ON CABLES	N/A
CONNECTOR PLATING DETAIL	NICKEL
CONTACT PLATING DETAIL	GOLD
DIELECTRIC MATERIAL	TEFLON
GASKET MATERIAL	WHITE SILICONE RUBBER

BAG	SINGLE ITEM	1-1478036-0
PACK TYPE	DESCRIPTION	PART NUMBER

THIS DRAWING IS A CONTROLLED DOCUMENT.		DWN	R SMITH	18.12.00	Tyco Electronics Corporation	
		CHK	R GOODALL	18.12.00	Stanmore, Middlesex, HA7 4RS	
		APVD	R GOODALL	18.12.00	NAME	
		PRODUCT SPEC		108-3435		
		APPLICATION SPEC		-		
		SIZE	A3	CAGE CODE	00779	DRAWING NO
		CUSTOMER DRAWING		C-1478036		RESTRICTED TO
		SCALE	NTS	SHEET	1 OF 1	REV
						A