

EK-30436-P03

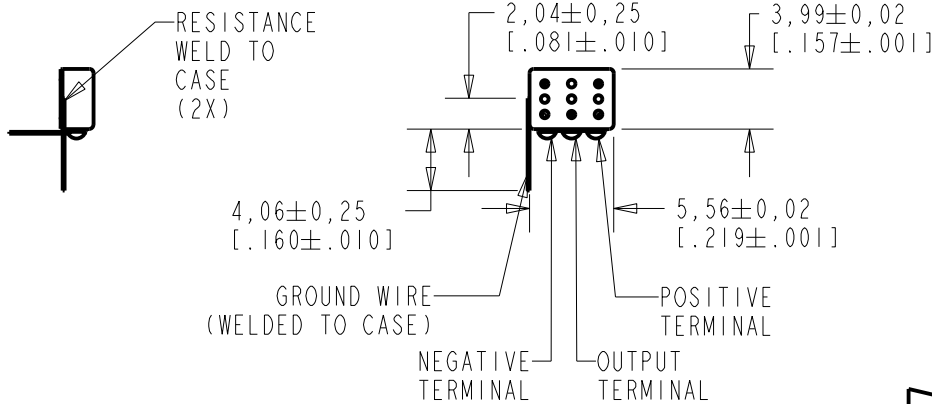
SHT 1.1

NOTES:

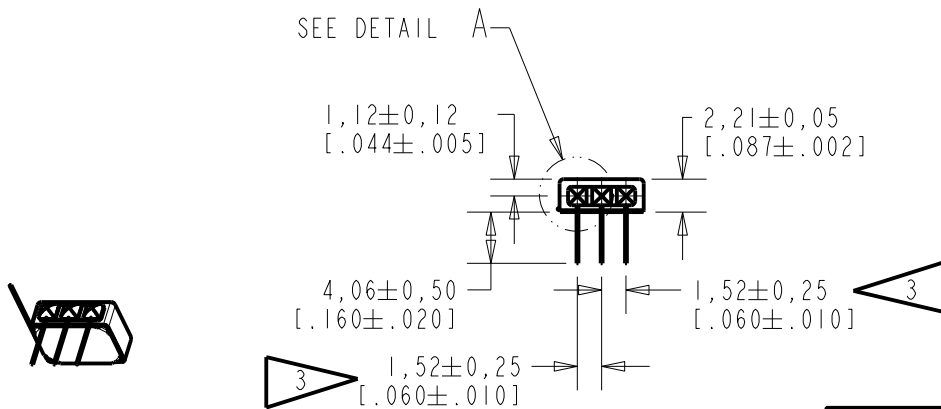
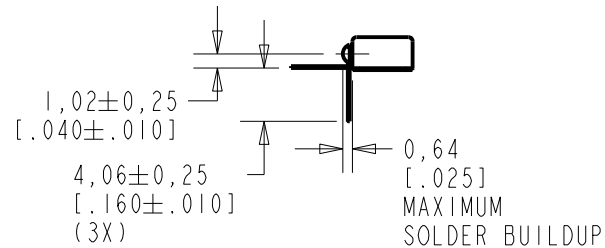
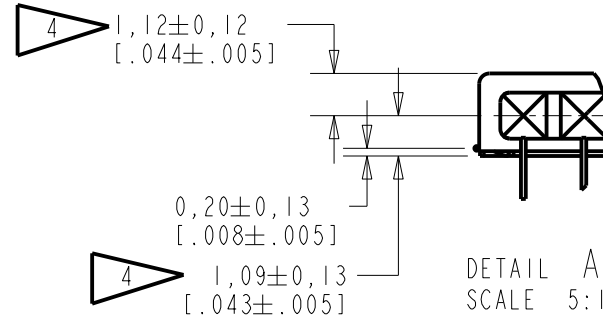
1. INCREASED PRESSURE AT THE SOUND INLET CAUSES A POSITIVE GOING VOLTAGE TO APPEAR AT THE OUTPUT TERMINAL, RELATIVE TO THE NEGATIVE TERMINAL.
2. WIRES MAY BE CURVED WITH ENDS 0,64 [.025] MAXIMUM AWAY FROM NORMAL, BUT NOT KINKED.

3 DIMENSIONS AT EXIT FROM SOLDER.

4 LOCATED FROM TWO SURFACES FOR CUSTOMER CONVENIENCE. ONLY APPLICABLE FROM ONE SURFACE, NOT TO BE USED TOGETHER.



RED CONTROLLED



NOMINAL WEIGHT
.13 GRAMS

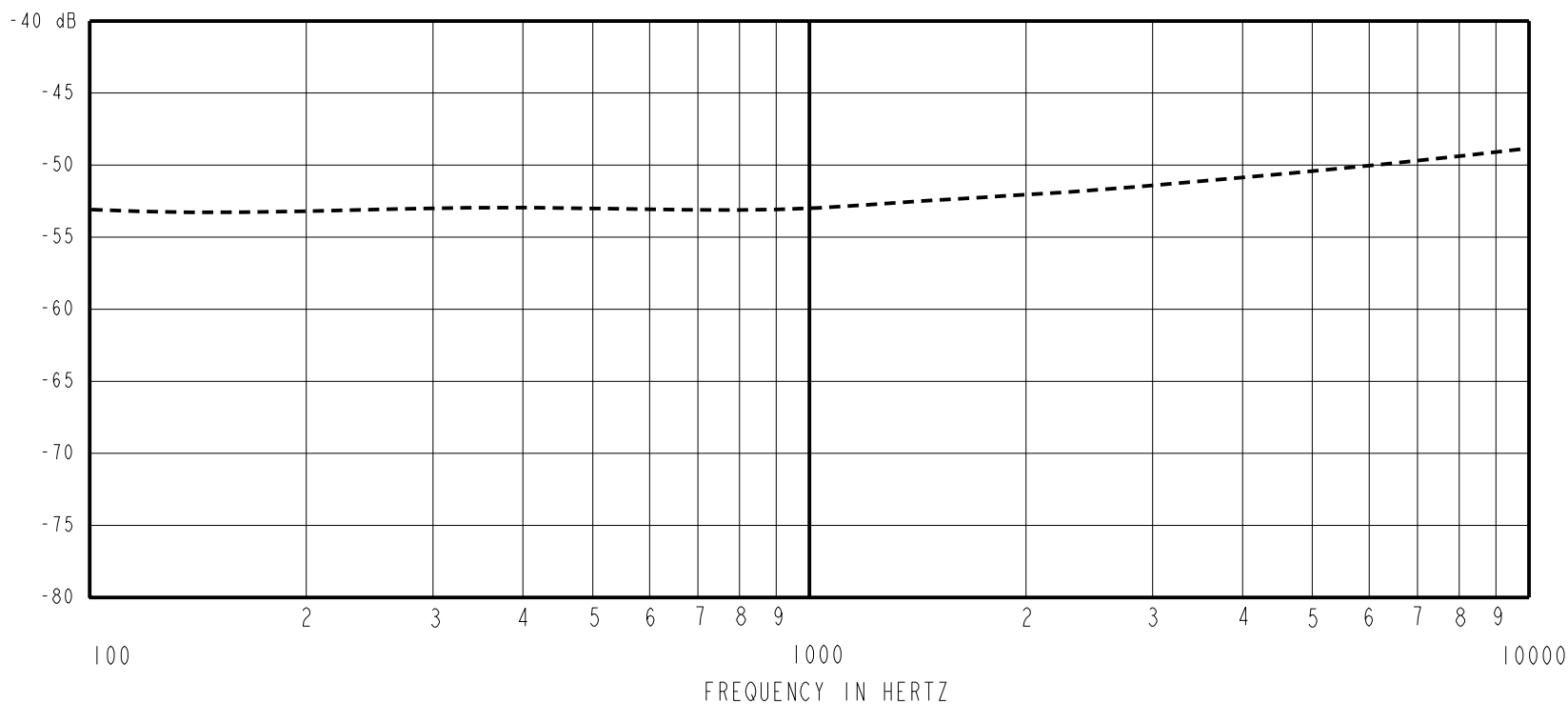
DIMENSIONS IN MILLIMETERS [INCHES]

Revision	C.O. #	Implementation Date	RELEASE LEVEL	REVISION
B	C40101315	10-17-13	Active	B
A	M10102055	6-27-08		

SCALE: 2:1		DR. BY	DATE
DO NOT SCALE DRAWING		SJ	6-27-08
TITLE: MICROPHONE		CK. BY	DATE
OUTLINE DRAWING		GJP	6-30-08
EK-30436-P03		APP. BY	DATE
SHT 1.1		GJP	6-30-08

KNOWLES ELECTRONICS
ITASCA, ILLINOIS U.S.A.

SENSITIVITY IN dB RELATIVE TO 1.0 VOLT/0.1 Pa (N/M²)
FOR CONDITIONS SHOWN BELOW.

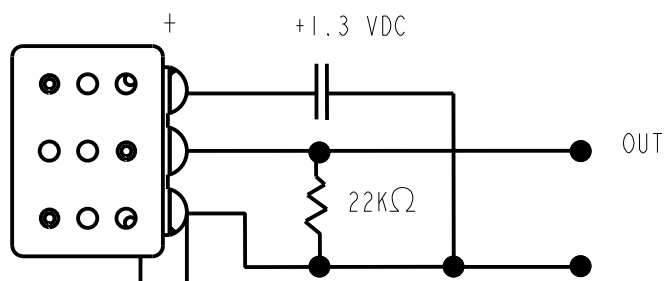


FREQUENCY	SENSITIVITY			DEVICE CONFORMITY	
	MIN.	NOM.	MAX.	RANGE OF DEVIATION FROM 1KHz	
100	---	-53.5	---	-4.0	+1.0
1000	-55.0	-53.0	-51.0	0.0	0.0
10000	---	-49.0	---	0.0	+8.0

NOTES:

1. ALL TEST DATA TAKEN WITH TEST CIRCUIT SHOWN BELOW.
2. CASE CONNECTED TO NEGATIVE TERMINAL USING EXTERNAL JUMPER WIRE.
3. MICROPHONE TO BE FUNCTIONAL WITH 10 VDC SUPPLY.
4. CONFORMS TO REQUIREMENTS SHOWN ON 'ELECTRET MICROPHONE ENVIRONMENTAL QUALIFICATIONS TEST, EK-PA SHEET 2.2' WITH REF. FREQ. 1000 Hz.
5. TYPICAL SENSITIVITY TO HUMIDITY AT 1000 Hz IS 0.02 dB/%RH.
6. SENSITIVITY AND NOISE VALUES INDICATED ON THIS SPECIFICATION ARE VALID AT 50% HUMIDITY.
7. VL SPEC: 0.2~0.9V

PORT LOCATION	DC SUPPLY	AMPLIFIER CURRENT DRAIN	SENSITIVITY CHANGE ON REDUCING SUPPLY TO 0.9VDC	"A" WEIGHTED NOISE (1 kHz EQUIV. SPL)	OUTPUT IMPEDANCE OHMS		
					MIN.	NOM.	MAX.
KA	1.3V	50 µA MAX.	4 dB MAX.	26.0 dB MAX.	2800	4400	6800



TEST CIRCUIT

RED CONTROLLED

Revision	C.O. #	Implementation Date	RELEASE LEVEL	REVISION
B	C40101315	10-17-13	Active	B
A	M10102055	6-27-08		

WHEN TEST LIMITS ARE USED TO ESTABLISH INCOMING INSPECTION ACCEPTANCE/REJECTION CRITERIA, CORRELATION OF TEST EQUIPMENT WITH KNOWLES IS ALSO REQUIRED FOR ELIMINATION OF EQUIPMENT AND TEST METHOD VARIATION	DR. BY	DATE
	SJ	6-27-08
	CK. BY	DATE
	GJP	6-30-08
TITLE:	MICROPHONE	EK-30436-P03
	PERFORMANCE SPECIFICATION	SHT 2.1
		APP. BY
		DATE
		GJP
		6-30-08

KNOWLES ELECTRONICS
ITASCA, ILLINOIS U.S.A.