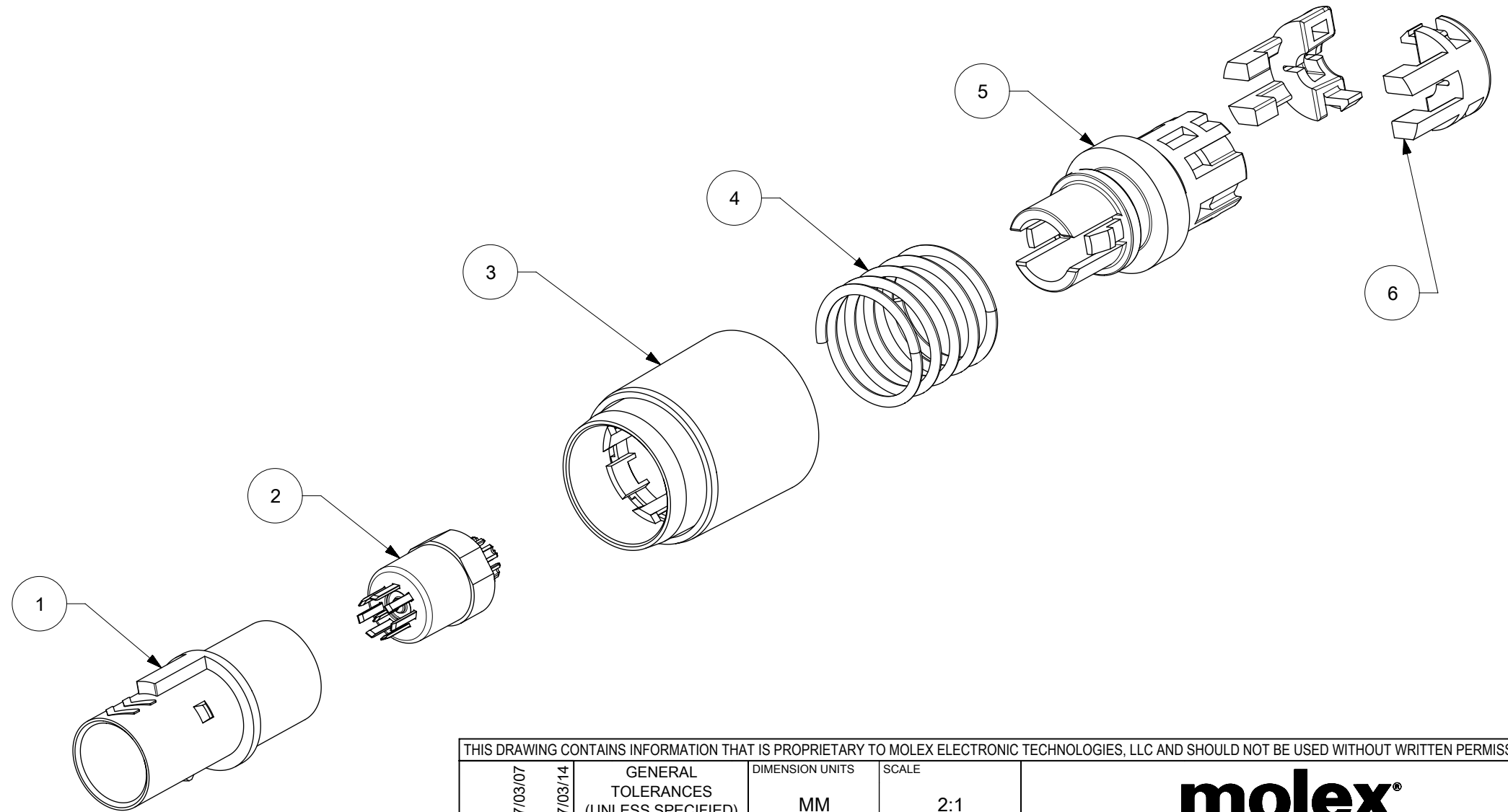


ITEM NUMBER	P/N	DESCRIPTION	QTY	SPQ
1	1728651001	MPC D1 MALE HOUSING	1	10
2	1728642000	MPC D1 MALE 8 CIRCUIT RETAINER ASSEMBLY	1	10
3	1728682000	MPC D1 MALE LOCK SLEEVE ASSEMBLY	1	10
4	1728621000	MPC D1 MALE LOCK SPRING	1	10
5	1728661000	MPC D1 MALE LOCK HOUSING	1	10
6	1728611000	MPC D1 STRAIN RELIEF	2	20



NOTES:

1. KIT TO BE PACKAGED PER SPEC PK-70873-3345
2. MATERIAL, MEDICAL GRADE PPSU; COLOR, BLACK
3. MATES WITH KIT P/N 172860-08*0, 203020-08*0, 202405-08*0
4. FOR OVERMOLDING DIMENSIONS AND SPEC SEE APPLICATION SPEC AS-202110-0000.
5. FOR FURTHER INFORMATION SEE PRODUCT SPEC PS-202110-0000

THIS DRAWING CONTAINS INFORMATION THAT IS PROPRIETARY TO MOLEX ELECTRONIC TECHNOLOGIES, LLC AND SHOULD NOT BE USED WITHOUT WRITTEN PERMISSION

EC NO: 114244 DRWN: JJONIAK CHKD: APPR: BPISZCZOR	2017/03/07	GENERAL TOLERANCES (UNLESS SPECIFIED)	DIMENSION UNITS	SCALE	molex MPC D1 STD MALE 8CKT ASSY KIT			
	2017/03/14		MM	2:1				
			ANGULAR TOL ± °	DRWN BY		DATE		
			4 PLACES ±	JJONIAK		2017/03/07		
		3 PLACES ±	CHK'D BY	DATE	PRODUCT CUSTOMER DRAWING			
		2 PLACES ±	APPR BY	DATE				
		1 PLACE ±	BPISZCZOR	2017/03/14				
		0 PLACES ±	DRAWING SIZE	THIRD ANGLE PROJECTION				
		DRAFT WHERE APPLICABLE MUST REMAIN WITHIN DIMENSIONS	B		SERIES	MATERIAL NUMBER	CUSTOMER	
					172870	1728700810	GENERAL MARKET	
					DOCUMENT NUMBER	DOC TYPE	DOC PART	SHEET NUMBER
					1728700810-SD	PSD	000	1 OF 1