

NOTES: UNLESS OTHERWISE SPECIFIED

1. CONSTRUCTION:

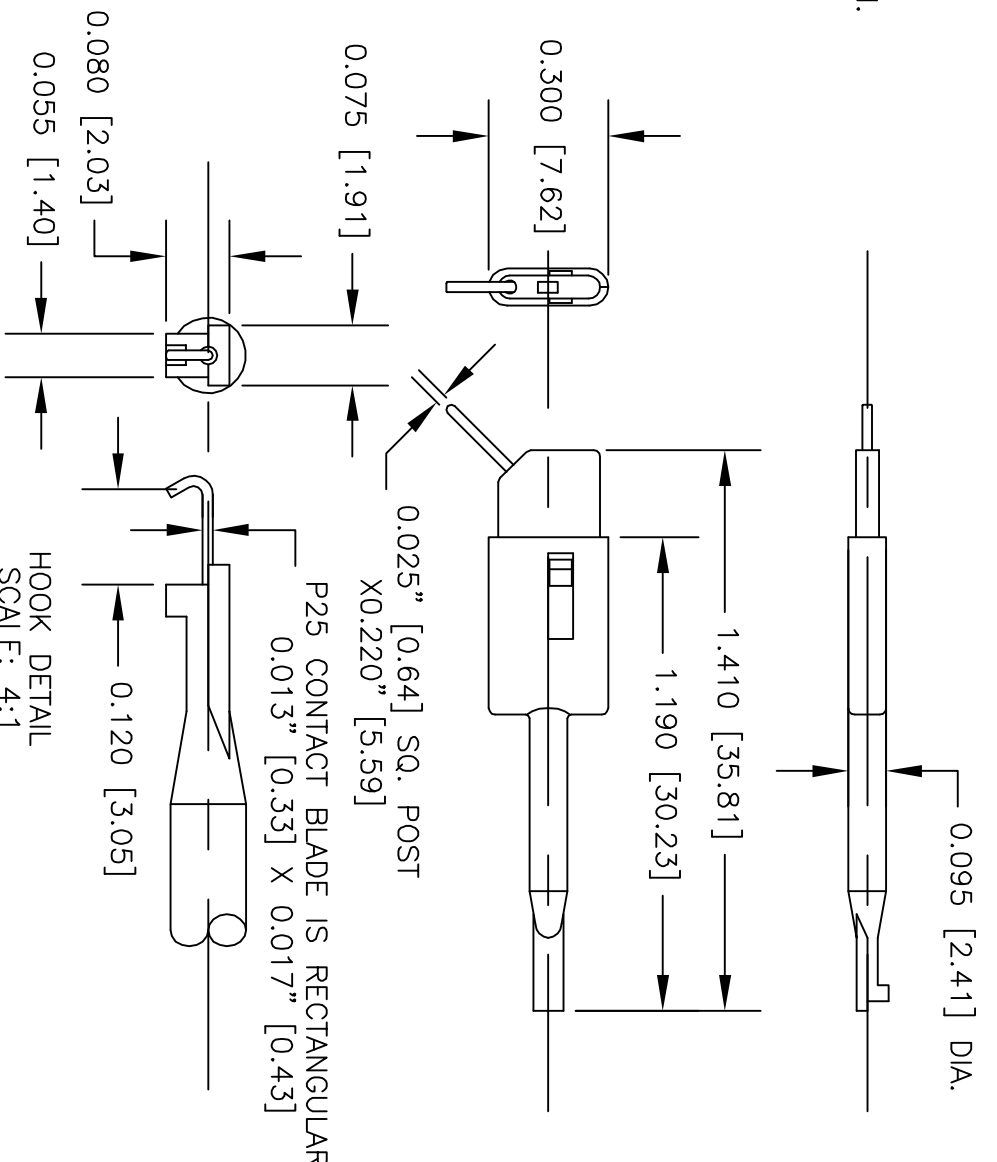
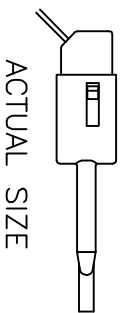
HOUSING & PLUNGER: MOLDED NYLON TYPE 6,6.
 AVAILABLE IN TEN COLORS.
 CONTACT BLADE: BERYLLIUM COPPER, GOLD PLATED
 PER MIL-G-45204 B TYPE 1
 0.00001" [0.000254] THK MINIMUM.
 SPRING: STAINLESS STEEL TYPE 302.

2. PERFORMANCE

MAXIMUM CURRENT: 1.0 AMPS
 MAXIMUM VOLTAGE: 600 W.V.D.C.
 MAXIMUM TEMPERATURE: 200°F (93°C)

3. FEATURES:

HOOK FITS COMPONENTS UP TO $\phi 0.025$ " [0.64].
 PIN PERMITS CONNECTION TO 0.025" [0.64] SQ.
 OR $\phi 0.030$ " [0.76] SOCKETS.



UNLESS OTHERWISE SPECIFIED DIMENSIONS ARE IN INCHES TOLERANCES ARE: FRACTIONS DECIMALS ANGLES		CONTRACT NO.	
± .XX ±	± .XXX ±	APPROVALS	DATE
DRAWN		R.L.	6/09
APPROVED BY			
MATERIAL		DESCRIPTION	
SEE NOTE.		PICO HOOK WITH 0.25 [6.35] POST GOLD PLATED	
FINISH		SIZE CODE IDENT NO. DRAWING NO.	
SEE NOTE.		A 08505 P25COLOR	
APPLICATION		SCALE	
USED ON		2:1	
DO NOT SCALE DRAWING		SHEET 1 OF 1	

E-Z-HOOK DIVISION OF TEKTEST INC.
 ARCADIA, CA 91006 U.S.A.

THE INFORMATION CONTAINED IN THIS DOCUMENT IS PROPRIETARY TO E-Z-HOOK. THE INFORMATION IS NOT TO BE REPRODUCED WITHOUT PRIOR WRITTEN PERMISSION OF E-Z-HOOK. DIV. OF TEKTEST INC. MAXIMUM TESTED RATINGS IN A HANDS-FREE CONTROLLED ENVIRONMENT. MAXIMUM RATINGS ARE NOT TO BE USED CONCURRENTLY.

LTR	REVISIONS	DESCRIPTION	DATE	APPROVED