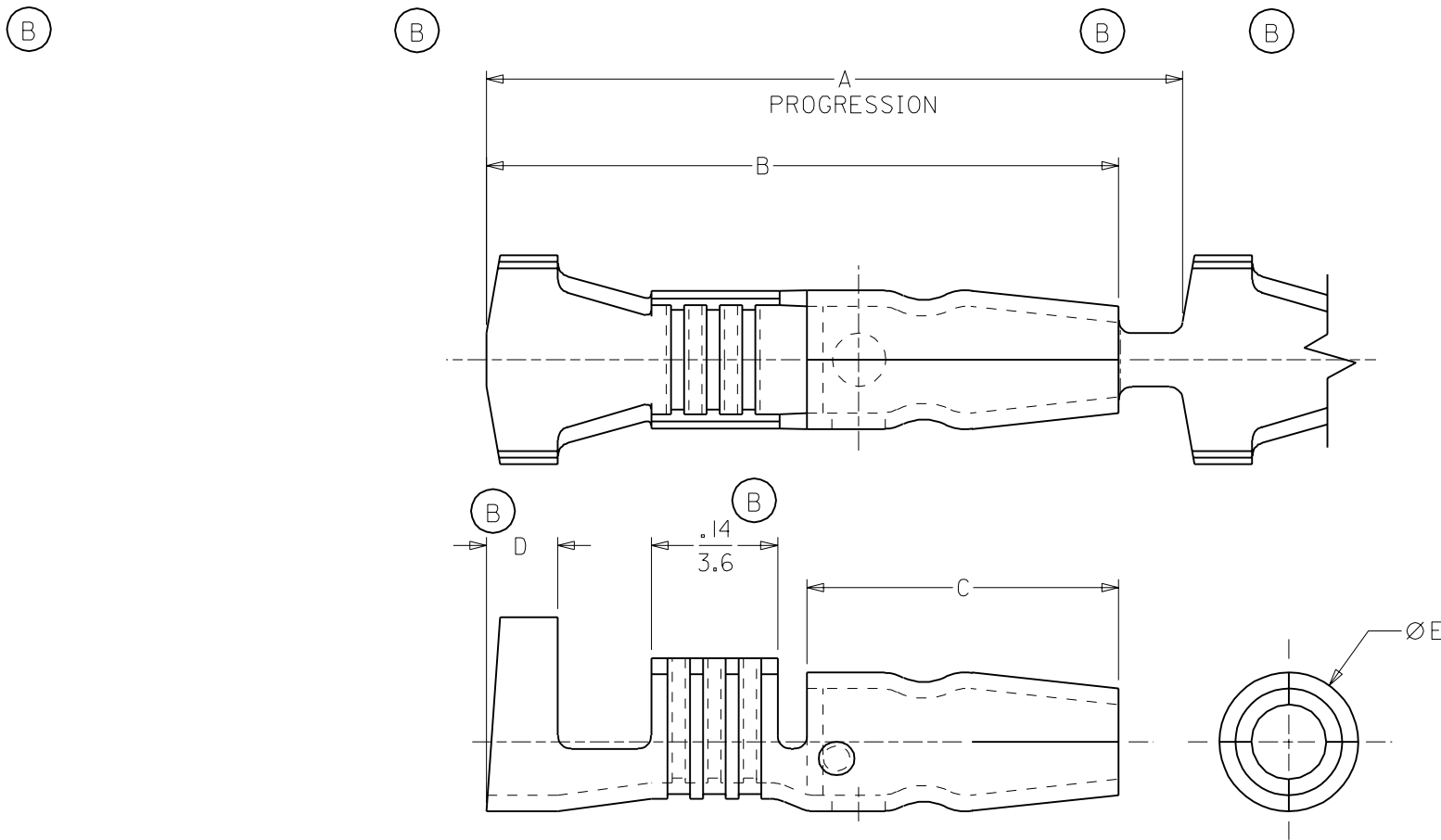


MATERIAL NUMBER	ENG. NUMBER	DESCRIPTION	FITS RECEPT. DIAMETER.	A	B	C	D	E
197244102	19724-4102	PLATED	.156/(3.96)	.76/(19.3)	.71/(18.0)	.35/(8.9)	.08/(2.0)	.156/(3.96)
197244402	19724-4402	PLATED	.180/(4.57)	.83/(21.2)	.74/(18.8)	.44/(11.2)	.06/(1.5)	.180/(4.57)
197244100	19724-4100	UNPLATED	.156/(3.96)	.76/(19.3)	.71/(18.0)	.35/(8.9)	.08/(2.0)	.156/(3.96)
197244400	19724-4400	UNPLATED	.180/(4.57)	.83/(21.2)	.74/(18.8)	.44/(11.2)	.06/(1.5)	.180/(4.57)



SALES DRAWING

NOTE(S):
 1. MATERIAL: BRASS
 2. MATERIAL THICKNESS: .016/(0.41)
 3. PLATING: ELECTRO-TIN

ADDED UNPLT NO'S	EC NO. ETC2003-0162	DRWN: DLM 02/12/20	CHK: SB 02/12/20	APPR: RWD 02/12/20
REV	B	DESCRIPTION	MAJOR	CRITICAL
			▼ = Ø	∇ = Ø

QUALITY SYMBOLS	GENERAL TOLERANCES: (UNLESS SPECIFIED)	
	mm	INCH
4 PLACES	±0.-----	±.-----
3 PLACES	±0.---	±.005
2 PLACES	±0.13	±.010
1 PLACE	±0.25	±.---
ANGULAR: ±1/2°		
DRAFT WHERE APPLICABLE MUST REMAIN WITHIN DIMENSIONS		

SCALE	DESIGN UNITS
5:1	<input type="checkbox"/> mm <input checked="" type="checkbox"/> INCH
DRAWN BY & DATE	
DLM 02/12/20	
CHECKED BY & DATE	
SB 02/12/20	
APPROVED BY & DATE	
RWD 02/12/20	
CAD FILENAME	MATERIAL NO.
SD19724002.DGN	(SEE CHART)

DIMENSIONS:		SHT	REV
<input type="checkbox"/> mm	<input checked="" type="checkbox"/> INCH		
<input type="checkbox"/> mm	<input type="checkbox"/> ONLY		
THIRD ANGLE PROJECTION		REVISE ON CAD ONLY	
TITLE:		VIBRAKRIMP SNAP PLUG	
		18-14 AWG, OPEN BARREL	
		CHAIN STAMPED	
MOLEX INCORPORATED			
DRAWING NO.	SHEET NO.		
SD-19724-002	1 OF 1		
THIS DRAWING CONTAINS INFORMATION THAT IS PROPRIETARY TO MOLEX INCORPORATED AND SHOULD NOT BE USED WITHOUT WRITTEN PERMISSION.		SIZE A	