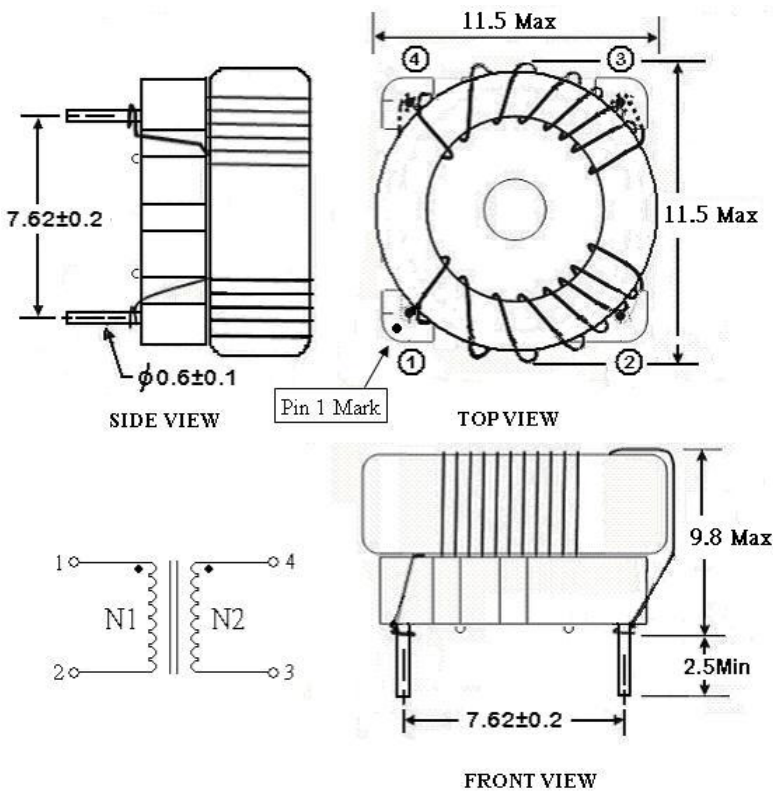
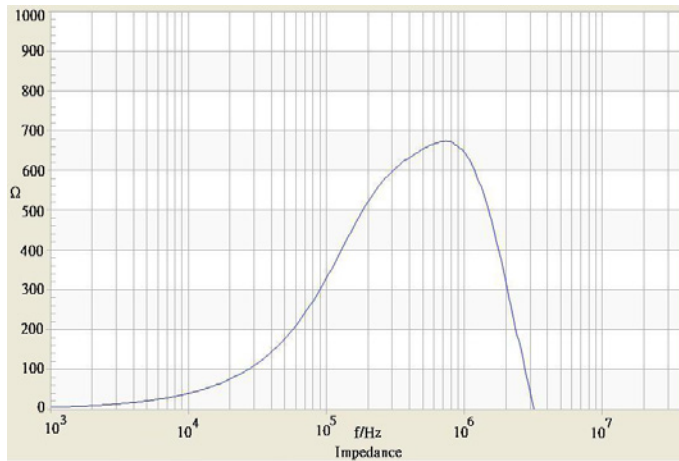


Common mode choke

Order code	TCK-048
Inductance	Pin 1-2: 450 μ H \pm 35% (100 kHz / 100 mV) Pin 3-4: 450 μ H \pm 35% (100 kHz / 100 mV)
Rated current	5.2 A max.
Rated voltage	500 VDC
DCR	25 m Ω
Operating Temperature	-40°C to +125°C

Impedance curve



Dimensions [mm]